

LX22A Series Limit Switch 系列行程开关

用途 Application

适用于转换交流50~60Hz; AC380V;DC220V;电流20A的控制电路中, 作限制起重机行车及各种设备的行程之用。正常工作在海拔高度1000m;环境温度-25℃~+40℃;环境湿度80%;防护等级IP44;符合GB14048.5-2001标准。

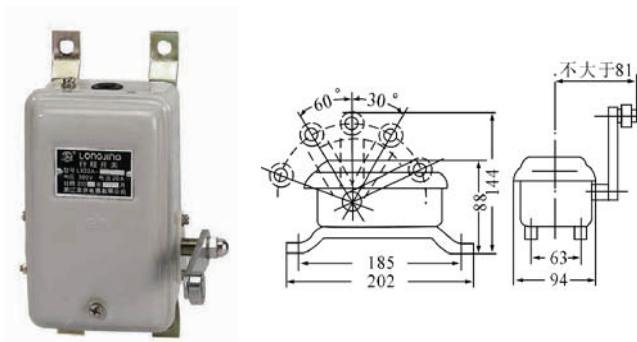
It is to service at the control circuit of AC 50~60Hz, AC380V, DC220V and current of 20A to control, safe travel and the travel of various kinds of equipment. The nominal service conditions include an ambient temperature of -25℃~+40℃, ambient relative humidity of 80%, an altitude of 1000m and protection degree of IP44. It complies with the standard of GB14048.5-2001.

LX22A-1	单臂单轮式适用于惰性行程不甚大的平移机构 The single-arm & single-wheel type is to service for the horizontal mechanism with no large inertia travel.
LX22A-2	双轮式适用于惰性行程较大的平移机构 The two-arm & single-wheel type is to service for the horizontal mechanism with large inertia travel.
LX22A-3	重锤式适用于提升机构 The heavy hammer type is to service for lift mechanism
LX22A-4	适用于需三个工作位置的平移机构
LX22A-5	适用于速度不大的平移机构
LX22A-6	双臂双轮式左右各1个, 适用于速度较大的平移机构 The dual-arm & dual-wheel type, with each respectively at left & right, is to service for the horizontal mechanism of slight high speed

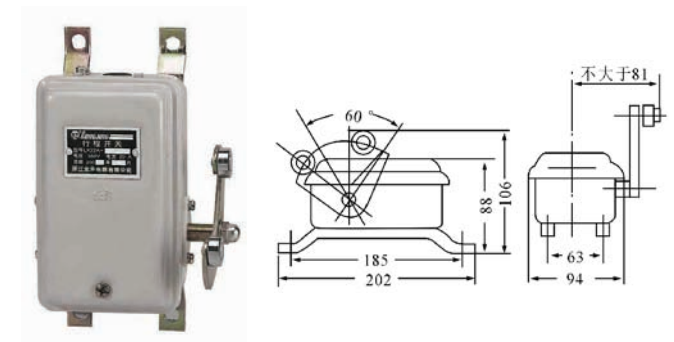
LX22A-11K



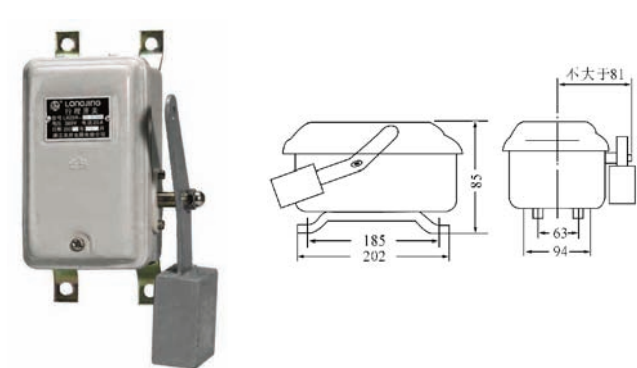
LX22A-1、11、12



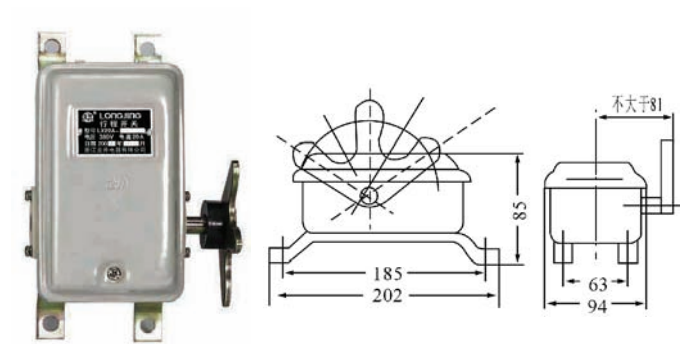
LX22A-2、21、22



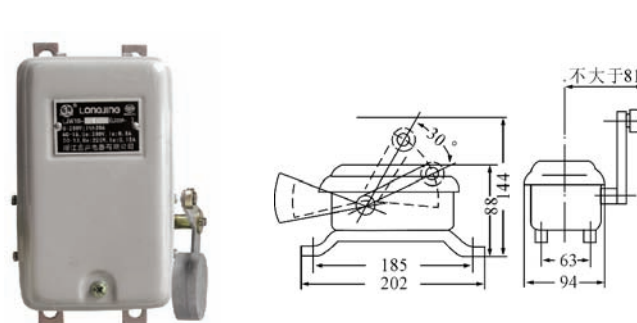
LX22A-3、31、32



LX22A-4、41、42



LX22A-5、51、52



LX22A-6、61、62

